

## SCSI Active Terminator

### FEATURES

- Complies with SCSI, SCSI-2 Standards
- 10pF Channel Capacitance During Disconnect
- Active Termination for 18 Lines
- Logic Command Disconnects all Termination Lines
- Low Supply Current in Disconnect Mode
- Trimmed Regulator for Accurate Termination Current
- Current Limit and Thermal Shutdown Protection
- 110 Ohm Termination
- Meets SCSI Hot Plugging

### DESCRIPTION

The UC5601 provides precision resistive pull-up to a 2.9V reference for all 18 lines in a Small Computer Systems Interface (SCSI) bus cable. The SCSI-2 standard recommends active termination at both ends of every cable segment utilizing single ended drivers and receivers.

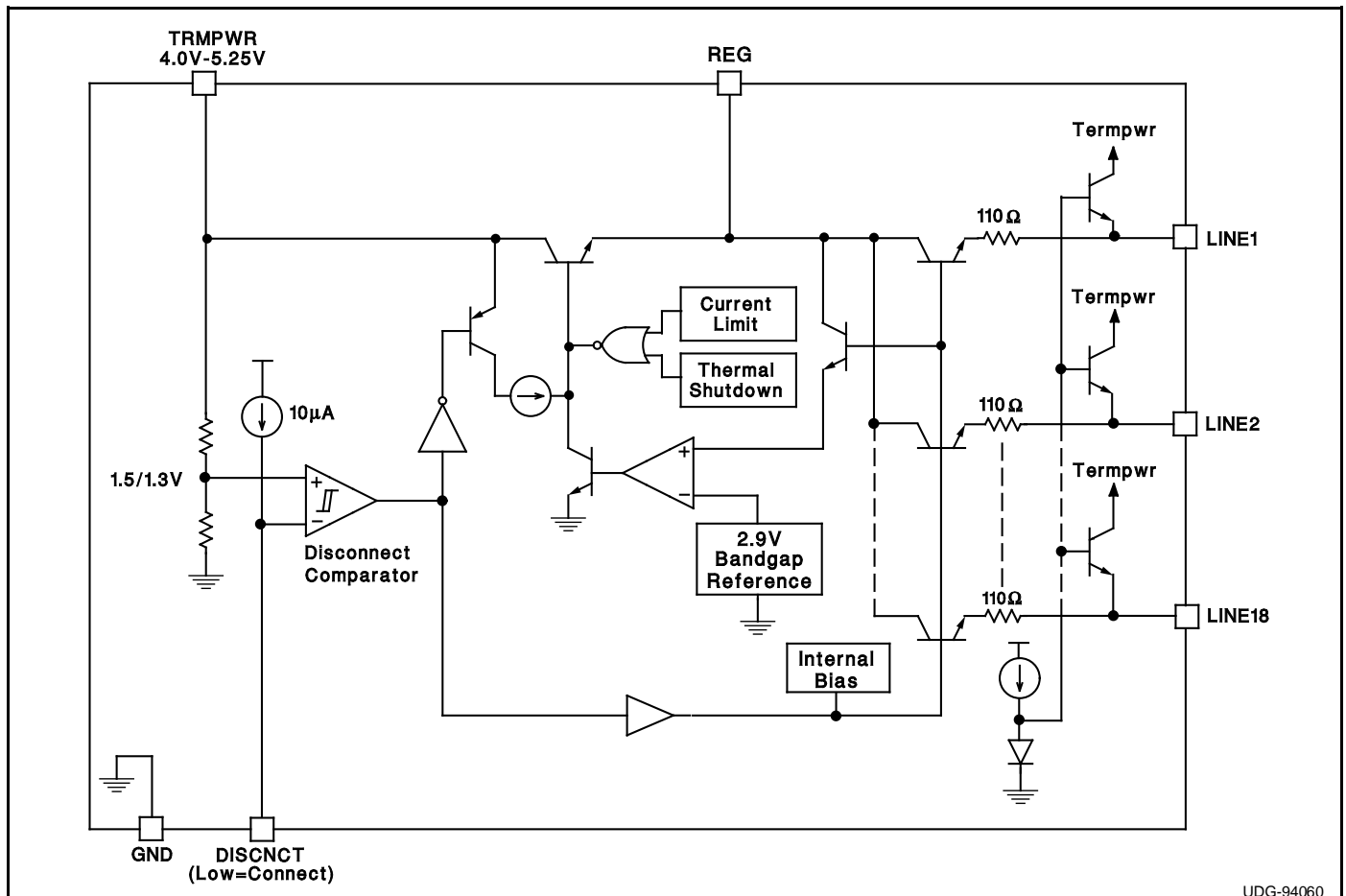
Internal circuit trimming is utilized, first to reduce resistor tolerances to  $\pm 3\%$  and then to adjust the regulator's output voltage to insure termination current accuracy of  $\pm 3\%$ .

The UC5601 provides a disconnect feature which, upon a logic command, disconnects all terminating resistors, and turns off the regulator; greatly reducing standby power.

Other features include negative clamping on all signal lines, 20mA of active negation sink current capability, regulator current limiting, and thermal shut-down protection.

This device is offered in low thermal resistance versions of the industry standard 28 pin wide body SOIC and PLCC, as well as a 24 pin DIL plastic package.

### BLOCK DIAGRAM



UDG-94060

Circuit Design Patented

**ABSOLUTE MAXIMUM RATINGS**

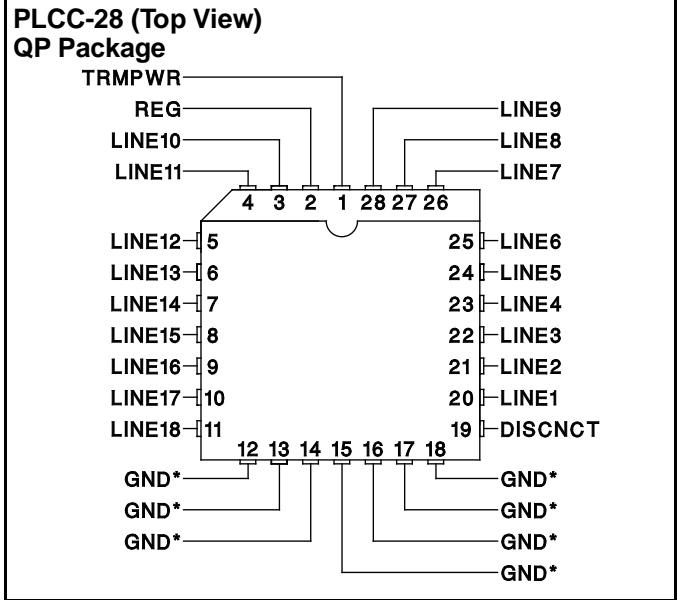
Tempwr Voltage .....	+7V
Signal Line Voltage.....	0V to +7V
Regulator Output Current .....	1A
Storage Temperature .....	-65°C to +150°C
Operating Temperature .....	-55°C to +150°C
Lead Temperature (Soldering, 10 Sec.).....	+300°C

Unless otherwise specified all voltages are with respect to Ground. Currents are positive into, negative out of the specified terminal.  
Consult Packaging Section of Unitrode Integrated Circuits databook for thermal limitations and considerations of packages.

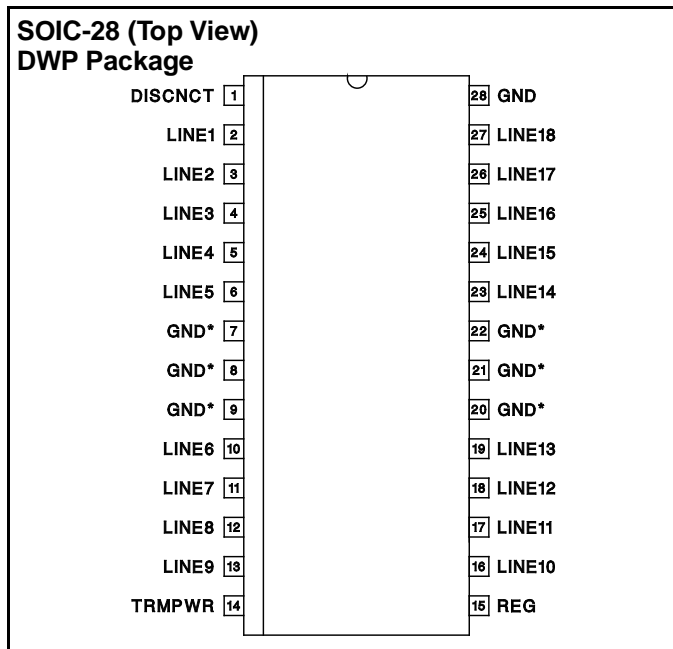
**RECOMMENDED OPERATING CONDITIONS**

Tempwr Voltage .....	4.0V to 5.25V
Signal Line Voltage.....	0V to +3V
Disconnect Input Voltage .....	0V to Tempwr

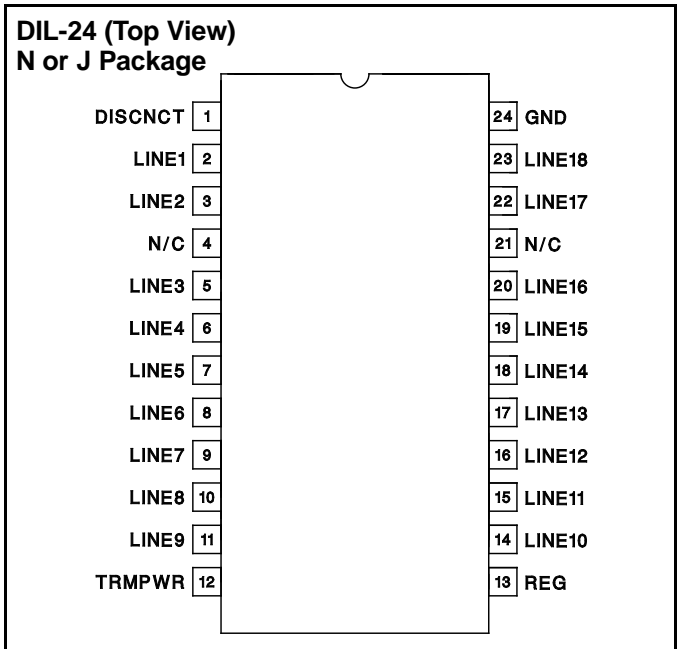
**CONNECTION DIAGRAMS**



\* QP package pins 12 - 18 serve as both heatsink and signal ground.



\* DWP package pin 28 serves as signal ground; pins 7, 8, 9, 20, 21, 22 serve as heatsink/ground.



Note: Drawings are not to scale.

**ELECTRICAL CHARACTERISTICS** Unless otherwise stated, these specifications apply for  $T_A = 0^\circ\text{C}$  to  $70^\circ\text{C}$ .  
 $\text{TRMPWR} = 4.75\text{V}$ ,  $\text{DISCNCT} = 0\text{V}$ .  $T_A = T_J$ .

PARAMETER	TEST CONDITIONS	MIN	TYP	MAX	UNITS	
<b>Supply Current Section</b>						
Termpwr Supply Current	All termination lines = Open		17	25	mA	
	All termination lines = 0.5V		400	430	mA	
Power Down Mode	DISCNCT = Open		100	150	$\mu\text{A}$	
<b>Output Section (Termination Lines)</b>						
Termination Impedance	$\Delta\text{LINE} = -5\text{mA}$ to $-15\text{mA}$	107	110	113	$\Omega$	
Output High Voltage	$V_{\text{TRMPWR}} = 4\text{V}$ (Note 1)	2.65	2.9		V	
Max Output Current	$V_{\text{LINE}} = 0.5\text{V}$	-21.1	-21.7	-22.4	mA	
	$V_{\text{LINE}} = 0.5\text{V}$ , $\text{TRMPWR} = 4\text{V}$ (Note 1)	-19.8	-21.7	-22.4	mA	
Output Clamp Level	$I_{\text{LINE}} = -30\text{mA}$	-0.2	-0.05	0.1	V	
Output Leakage	DISCNCT = 4V	TRMPWR = 0V to 5.25V REG = 0V	$V_{\text{LINE}} = 0$ to 4V	10	400	nA
			$V_{\text{LINE}} = 5.25\text{V}$		100	$\mu\text{A}$
		TRMPWR = 0V to 5.25V, REG = Open $V_{\text{LINE}} = 0\text{V}$ to 5.25V		10	400	nA
Output Capacitance	DISCNCT = Open (Note 2)		10	12	pF	
<b>Regulator Section</b>						
Regulator Output Voltage		2.8	2.9	3.0	V	
Line Regulation	$\text{TRMPWR} = 4\text{V}$ to 6V		10	20	mV	
Load Regulation	$I_{\text{REG}} = 0$ to $-400\text{mA}$		20	50	mV	
Drop Out Voltage	All Termination Lines = 0.5V		1.0	1.2	V	
Short Circuit Current	$V_{\text{REG}} = 0\text{V}$	-450	-650	-850	mA	
Current Sink Capability	$V_{\text{REG}} = 3.5\text{V}$	8	20	25	mA	
Thermal Shutdown			170		$^\circ\text{C}$	
<b>Disconnect Section</b>						
Disconnect Threshold		1.3	1.5	1.7	V	
Threshold Hysteresis		100	160	250	mV	
Input Current	DISCNCT = 0V		10	15	$\mu\text{A}$	

Note 1: Measuring each termination line while other 17 are low (0.5V).

Note 2: Guaranteed by design. Not 100% tested in production.

## THERMAL DATA

QP package: (see packaging section of UICC data book for more details on thermal performance)

Thermal Resistance Junction to Leads,  $\theta_{jL}$  ..... 15 $^\circ\text{C}/\text{W}$

Thermal Resistance Junction to Ambient,  $\theta_{ja}$  ..... 30 $^\circ$ -40 $^\circ\text{C}/\text{W}$

DWP package:

Thermal Resistance Junction to Leads,  $\theta_{jL}$  ..... 18 $^\circ\text{C}/\text{W}$

Thermal Resistance Junction to Ambient,  $\theta_{ja}$  ..... 33 $^\circ$ -43 $^\circ\text{C}/\text{W}$

J package:

Thermal Resistance Junction to Leads,  $\theta_{jL}$  ..... 40 $^\circ\text{C}/\text{W}$

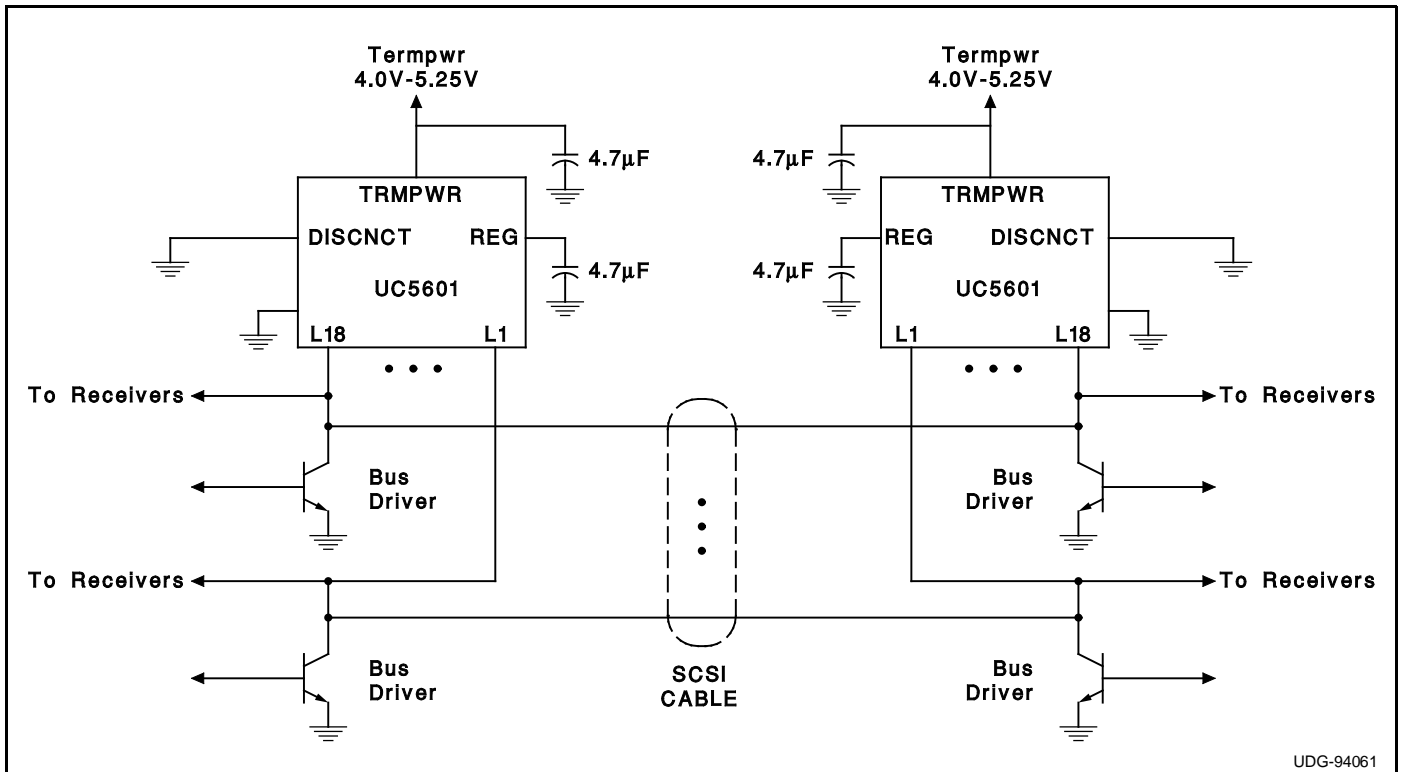
Thermal Resistance Junction to Ambient,  $\theta_{ja}$  ..... 75 $^\circ$ -85 $^\circ\text{C}/\text{W}$

N package:

Thermal Resistance Junction to Leads,  $\theta_{jL}$  ..... 50 $^\circ\text{C}/\text{W}$

Thermal Resistance Junction to Ambient,  $\theta_{ja}$  ..... 95 $^\circ$ -105 $^\circ\text{C}/\text{W}$

Note: The above numbers for  $\theta_{jL}$  are maximums for the limiting thermal resistance of the package in a standard mounting configuration. The  $\theta_{ja}$  numbers are meant to be guidelines for the thermal performance of the device/pc-board system. All of the above numbers assume no ambient airflow.



Typical SCSI Bus Configuration Using the UC5601

**A Look at the Response of a SCSI-2 Cable**

Figure 1 shows a single line of a SCSI cable. The driver is an open collector type which when asserted pulls low, and when negated the termination resistance serves as the pull-up.

Figure 2 shows a worst case scenario of mid cable de-assertion with a close proximity receiver. The voltage  $V_{STEP}$  is defined as:

$$V_{STEP} = V_{OL} + I_o Z_0$$

- $V_{OL}$  = Driver Output Low Voltage
- $I_o$  = Current from Receiving Terminator
- $Z_0$  = Cable Characteristic Impedance

$$I_o = \frac{V_{REG} - V_{OL}}{110}$$

In the pursuit of higher data rates, sampling could occur during this step portion, therefore it is important to ensure that the step is as high as possible to get the most noise margin. For this reason the UC5601 is trimmed so that the output current ( $I_o$ ) is as close as possible to the SCSI max current spec of 22.4mA. The Termination impedance is initially trimmed on the IC to 110 ohms typical, then the regulator voltage is trimmed for the highest output current to within 22.4mA.

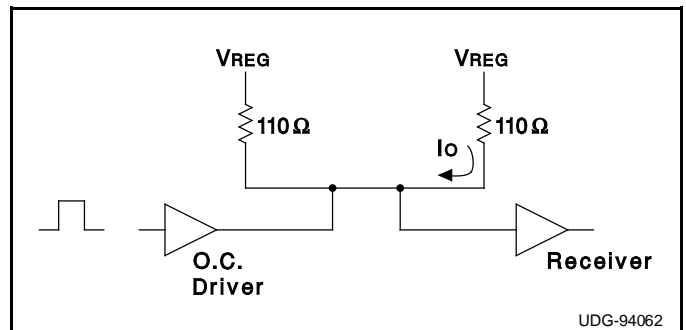


Figure 1. A Single Line of a SCSI Cable

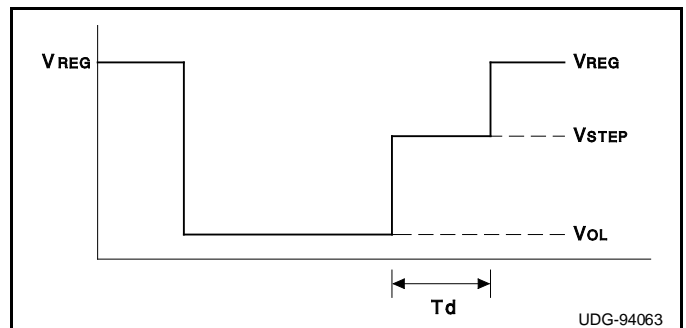


Figure 2. A Typical Response of a SCSI Cable

**PACKAGING INFORMATION**

Orderable Device	Status <sup>(1)</sup>	Package Type	Package Drawing	Pins	Package Qty	Eco Plan <sup>(2)</sup>	Lead/Ball Finish	MSL Peak Temp <sup>(3)</sup>
UC5601DWP	ACTIVE	SOIC	DW	28	20	Green (RoHS & no Sb/Br)	Cu NiPdAu	Level-2-260C-1 YEAR
UC5601DWPG4	ACTIVE	SOIC	DW	28	20	Green (RoHS & no Sb/Br)	Cu NiPdAu	Level-2-260C-1 YEAR
UC5601DWPTR	ACTIVE	SOIC	DW	28	1000	Green (RoHS & no Sb/Br)	Cu NiPdAu	Level-2-260C-1 YEAR
UC5601DWPTRG4	ACTIVE	SOIC	DW	28	1000	Green (RoHS & no Sb/Br)	Cu NiPdAu	Level-2-260C-1 YEAR
UC5601N	ACTIVE	PDIP	N	24	15	Green (RoHS & no Sb/Br)	CU NIPDAU	N / A for Pkg Type
UC5601NG4	ACTIVE	PDIP	N	24	15	Green (RoHS & no Sb/Br)	CU NIPDAU	N / A for Pkg Type
UC5601QP	ACTIVE	PLCC	FN	28	37	TBD	Cu NiPdAu	Level-2-220C-1 YEAR
UC5601QPTR	ACTIVE	PLCC	FN	28	750	TBD	Cu NiPdAu	Level-2-220C-1 YEAR

<sup>(1)</sup> The marketing status values are defined as follows:

**ACTIVE:** Product device recommended for new designs.

**LIFEBUY:** TI has announced that the device will be discontinued, and a lifetime-buy period is in effect.

**NRND:** Not recommended for new designs. Device is in production to support existing customers, but TI does not recommend using this part in a new design.

**PREVIEW:** Device has been announced but is not in production. Samples may or may not be available.

**OBSOLETE:** TI has discontinued the production of the device.

<sup>(2)</sup> Eco Plan - The planned eco-friendly classification: Pb-Free (RoHS), Pb-Free (RoHS Exempt), or Green (RoHS & no Sb/Br) - please check <http://www.ti.com/productcontent> for the latest availability information and additional product content details.

**TBD:** The Pb-Free/Green conversion plan has not been defined.

**Pb-Free (RoHS):** TI's terms "Lead-Free" or "Pb-Free" mean semiconductor products that are compatible with the current RoHS requirements for all 6 substances, including the requirement that lead not exceed 0.1% by weight in homogeneous materials. Where designed to be soldered at high temperatures, TI Pb-Free products are suitable for use in specified lead-free processes.

**Pb-Free (RoHS Exempt):** This component has a RoHS exemption for either 1) lead-based flip-chip solder bumps used between the die and package, or 2) lead-based die adhesive used between the die and leadframe. The component is otherwise considered Pb-Free (RoHS compatible) as defined above.

**Green (RoHS & no Sb/Br):** TI defines "Green" to mean Pb-Free (RoHS compatible), and free of Bromine (Br) and Antimony (Sb) based flame retardants (Br or Sb do not exceed 0.1% by weight in homogeneous material)

<sup>(3)</sup> MSL, Peak Temp. -- The Moisture Sensitivity Level rating according to the JEDEC industry standard classifications, and peak solder temperature.

**Important Information and Disclaimer:**The information provided on this page represents TI's knowledge and belief as of the date that it is provided. TI bases its knowledge and belief on information provided by third parties, and makes no representation or warranty as to the accuracy of such information. Efforts are underway to better integrate information from third parties. TI has taken and continues to take reasonable steps to provide representative and accurate information but may not have conducted destructive testing or chemical analysis on incoming materials and chemicals. TI and TI suppliers consider certain information to be proprietary, and thus CAS numbers and other limited information may not be available for release.

In no event shall TI's liability arising out of such information exceed the total purchase price of the TI part(s) at issue in this document sold by TI to Customer on an annual basis.

**TAPE AND REEL INFORMATION**



**QUADRANT ASSIGNMENTS FOR PIN 1 ORIENTATION IN TAPE**



\*All dimensions are nominal

Device	Package Type	Package Drawing	Pins	SPQ	Reel Diameter (mm)	Reel Width W1 (mm)	A0 (mm)	B0 (mm)	K0 (mm)	P1 (mm)	W (mm)	Pin1 Quadrant
UC5601DWPTR	SOIC	DW	28	1000	330.0	32.4	11.35	18.67	3.1	16.0	32.0	Q1
UC5601QPTR	PLCC	FN	28	750	330.0	24.4	12.95	12.95	5.0	16.0	24.0	Q1

**TAPE AND REEL BOX DIMENSIONS**

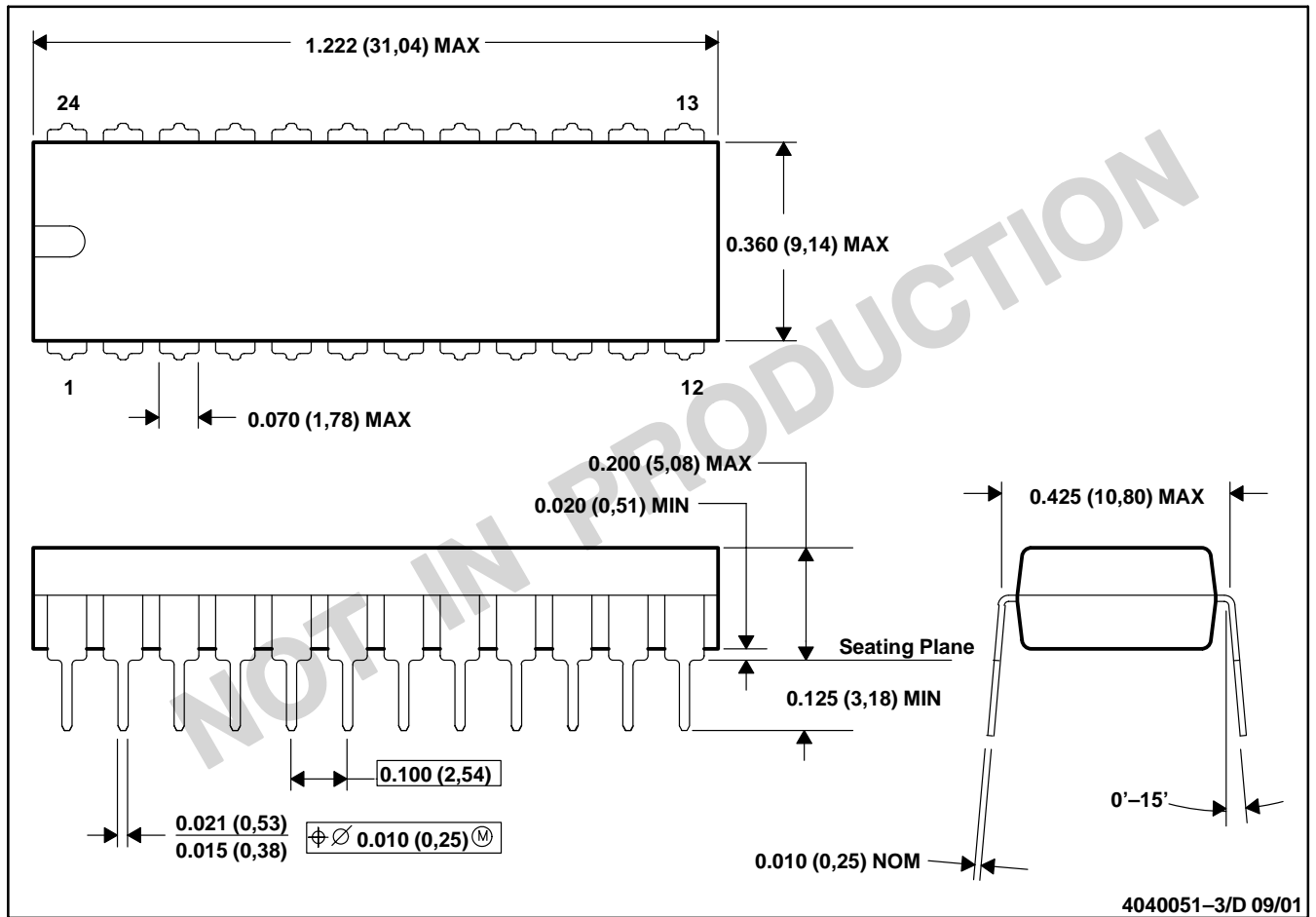


\*All dimensions are nominal

Device	Package Type	Package Drawing	Pins	SPQ	Length (mm)	Width (mm)	Height (mm)
UC5601DWPTR	SOIC	DW	28	1000	346.0	346.0	49.0
UC5601QPTR	PLCC	FN	28	750	346.0	346.0	41.0

N (R-PDIP-T24)

PLASTIC DUAL-IN-LINE

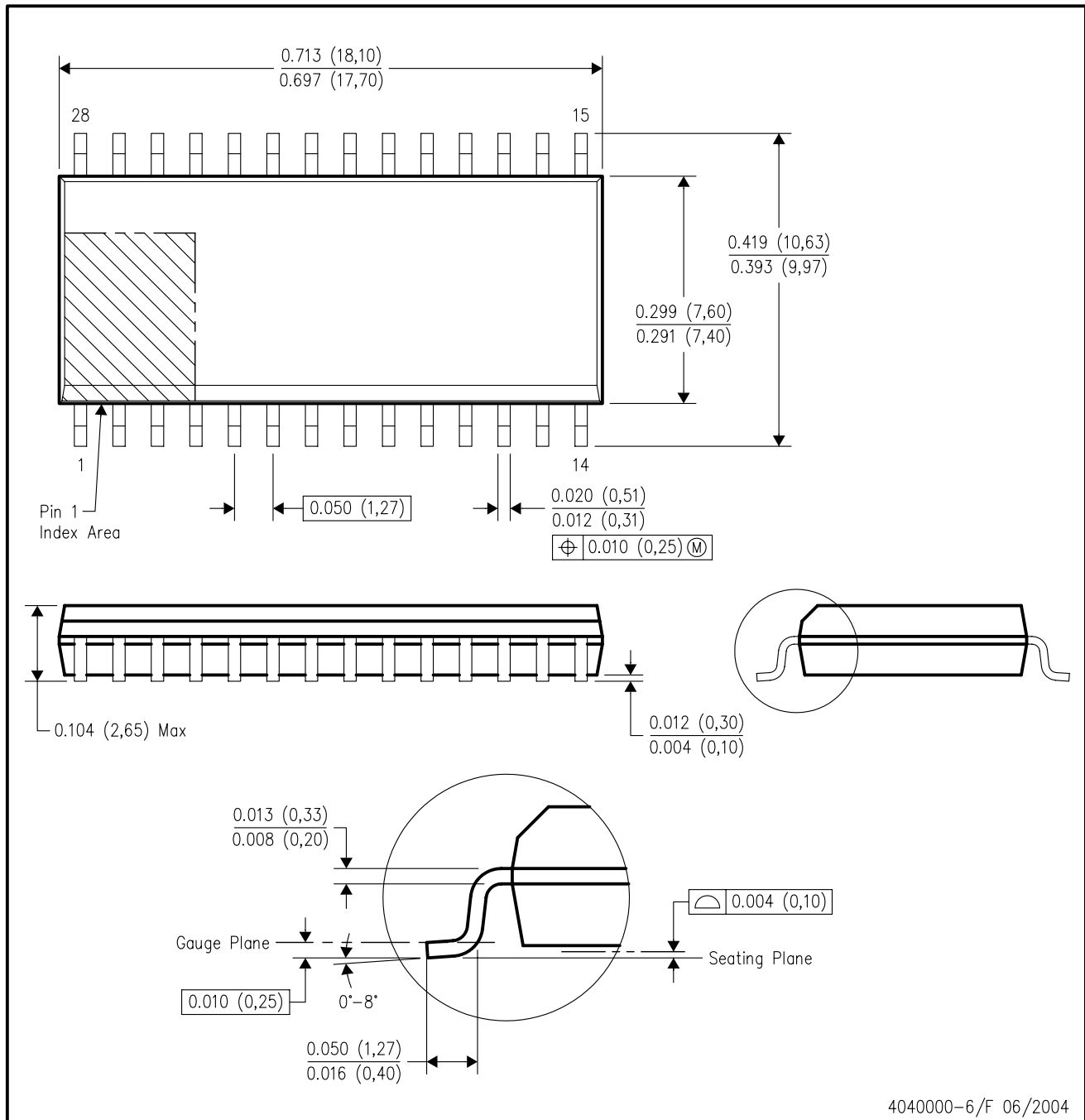


- NOTES: A. All linear dimensions are in inches (millimeters).  
 B. This drawing is subject to change without notice.  
 C. Falls within JEDEC MS-010



DW (R-PDSO-G28)

PLASTIC SMALL-OUTLINE PACKAGE



4040000-6/F 06/2004

- NOTES:
- A. All linear dimensions are in inches (millimeters).
  - B. This drawing is subject to change without notice.
  - C. Body dimensions do not include mold flash or protrusion not to exceed 0.006 (0,15).
  - D. Falls within JEDEC MS-013 variation AE.

FN (S-PQCC-J\*\*)

PLASTIC J-LEADED CHIP CARRIER

20 PIN SHOWN



NO. OF PINS **	D/E		D1/E1		D2/E2	
	MIN	MAX	MIN	MAX	MIN	MAX
20	0.385 (9,78)	0.395 (10,03)	0.350 (8,89)	0.356 (9,04)	0.141 (3,58)	0.169 (4,29)
28	0.485 (12,32)	0.495 (12,57)	0.450 (11,43)	0.456 (11,58)	0.191 (4,85)	0.219 (5,56)
44	0.685 (17,40)	0.695 (17,65)	0.650 (16,51)	0.656 (16,66)	0.291 (7,39)	0.319 (8,10)
52	0.785 (19,94)	0.795 (20,19)	0.750 (19,05)	0.756 (19,20)	0.341 (8,66)	0.369 (9,37)
68	0.985 (25,02)	0.995 (25,27)	0.950 (24,13)	0.958 (24,33)	0.441 (11,20)	0.469 (11,91)
84	1.185 (30,10)	1.195 (30,35)	1.150 (29,21)	1.158 (29,41)	0.541 (13,74)	0.569 (14,45)

4040005/B 03/95

- NOTES: A. All linear dimensions are in inches (millimeters).  
 B. This drawing is subject to change without notice.  
 C. Falls within JEDEC MS-018

## IMPORTANT NOTICE

Texas Instruments Incorporated and its subsidiaries (TI) reserve the right to make corrections, modifications, enhancements, improvements, and other changes to its products and services at any time and to discontinue any product or service without notice. Customers should obtain the latest relevant information before placing orders and should verify that such information is current and complete. All products are sold subject to TI's terms and conditions of sale supplied at the time of order acknowledgment.

TI warrants performance of its hardware products to the specifications applicable at the time of sale in accordance with TI's standard warranty. Testing and other quality control techniques are used to the extent TI deems necessary to support this warranty. Except where mandated by government requirements, testing of all parameters of each product is not necessarily performed.

TI assumes no liability for applications assistance or customer product design. Customers are responsible for their products and applications using TI components. To minimize the risks associated with customer products and applications, customers should provide adequate design and operating safeguards.

TI does not warrant or represent that any license, either express or implied, is granted under any TI patent right, copyright, mask work right, or other TI intellectual property right relating to any combination, machine, or process in which TI products or services are used. Information published by TI regarding third-party products or services does not constitute a license from TI to use such products or services or a warranty or endorsement thereof. Use of such information may require a license from a third party under the patents or other intellectual property of the third party, or a license from TI under the patents or other intellectual property of TI.

Reproduction of TI information in TI data books or data sheets is permissible only if reproduction is without alteration and is accompanied by all associated warranties, conditions, limitations, and notices. Reproduction of this information with alteration is an unfair and deceptive business practice. TI is not responsible or liable for such altered documentation. Information of third parties may be subject to additional restrictions.

Resale of TI products or services with statements different from or beyond the parameters stated by TI for that product or service voids all express and any implied warranties for the associated TI product or service and is an unfair and deceptive business practice. TI is not responsible or liable for any such statements.

TI products are not authorized for use in safety-critical applications (such as life support) where a failure of the TI product would reasonably be expected to cause severe personal injury or death, unless officers of the parties have executed an agreement specifically governing such use. Buyers represent that they have all necessary expertise in the safety and regulatory ramifications of their applications, and acknowledge and agree that they are solely responsible for all legal, regulatory and safety-related requirements concerning their products and any use of TI products in such safety-critical applications, notwithstanding any applications-related information or support that may be provided by TI. Further, Buyers must fully indemnify TI and its representatives against any damages arising out of the use of TI products in such safety-critical applications.

TI products are neither designed nor intended for use in military/aerospace applications or environments unless the TI products are specifically designated by TI as military-grade or "enhanced plastic." Only products designated by TI as military-grade meet military specifications. Buyers acknowledge and agree that any such use of TI products which TI has not designated as military-grade is solely at the Buyer's risk, and that they are solely responsible for compliance with all legal and regulatory requirements in connection with such use.

TI products are neither designed nor intended for use in automotive applications or environments unless the specific TI products are designated by TI as compliant with ISO/TS 16949 requirements. Buyers acknowledge and agree that, if they use any non-designated products in automotive applications, TI will not be responsible for any failure to meet such requirements.

Following are URLs where you can obtain information on other Texas Instruments products and application solutions:

### Products

Amplifiers	<a href="http://amplifier.ti.com">amplifier.ti.com</a>
Data Converters	<a href="http://dataconverter.ti.com">dataconverter.ti.com</a>
DSP	<a href="http://dsp.ti.com">dsp.ti.com</a>
Clocks and Timers	<a href="http://www.ti.com/clocks">www.ti.com/clocks</a>
Interface	<a href="http://interface.ti.com">interface.ti.com</a>
Logic	<a href="http://logic.ti.com">logic.ti.com</a>
Power Mgmt	<a href="http://power.ti.com">power.ti.com</a>
Microcontrollers	<a href="http://microcontroller.ti.com">microcontroller.ti.com</a>
RFID	<a href="http://www.ti-rfid.com">www.ti-rfid.com</a>
RF/IF and ZigBee® Solutions	<a href="http://www.ti.com/lprf">www.ti.com/lprf</a>

### Applications

Audio	<a href="http://www.ti.com/audio">www.ti.com/audio</a>
Automotive	<a href="http://www.ti.com/automotive">www.ti.com/automotive</a>
Broadband	<a href="http://www.ti.com/broadband">www.ti.com/broadband</a>
Digital Control	<a href="http://www.ti.com/digitalcontrol">www.ti.com/digitalcontrol</a>
Medical	<a href="http://www.ti.com/medical">www.ti.com/medical</a>
Military	<a href="http://www.ti.com/military">www.ti.com/military</a>
Optical Networking	<a href="http://www.ti.com/opticalnetwork">www.ti.com/opticalnetwork</a>
Security	<a href="http://www.ti.com/security">www.ti.com/security</a>
Telephony	<a href="http://www.ti.com/telephony">www.ti.com/telephony</a>
Video & Imaging	<a href="http://www.ti.com/video">www.ti.com/video</a>
Wireless	<a href="http://www.ti.com/wireless">www.ti.com/wireless</a>

Mailing Address: Texas Instruments, Post Office Box 655303, Dallas, Texas 75265  
Copyright © 2008, Texas Instruments Incorporated